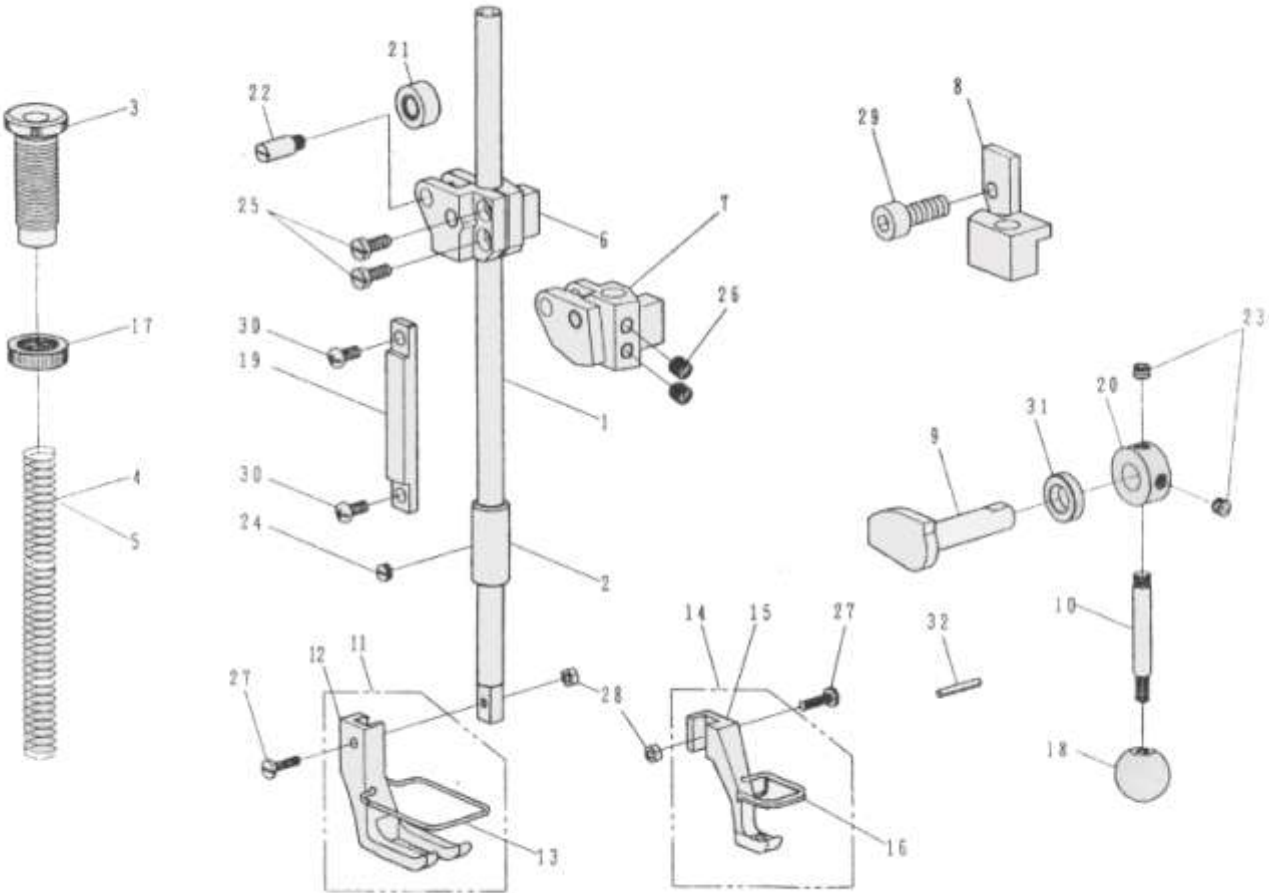


D. RESSURE BAR COMPONENTS



D. RESSURE BAR COMPONENTS

Code	Parts No.	QTY	Name of Part
1	4710150100	1	Presser Bar
2	4710150200	1	Presser Bar Bushing
3	4710150300	1	Screw
4	4410150400	1	Spring
5	4710150400	1	Spring
6	4410150500	1	Presser Bar Guide Bracket
7	4710150500	1	Presser Bar Guide Bracket
8	4710150600	1	Hand Lifter Link
9	4710150700	1	Hand Lifter Cam
10	4710150800	1	Hand Lifter Lever
11	4410143805	1	Pressure Foot (Standard) Asm
12	4410143800	3	Pressure Foot (Standard)
13	4410152500	1	Guard
14	4710152500	2	Pressure Foot (Standard) Asm
15	4412151000	3	Pressure Foot (Standard)
16	4410152500	2	Guard
17	4410115500	1	Nut
18	4410151600	1	Grip
19	4710151700	2	Guide Plate
20	4710151800	2	Thrust Collar
21	4710151900	2	Roller Follower
22	4710152000	2	Guide Pin
23	ZSH16005	2	Screw1/4-40L=4.5
24	ZSA15013	1	Screw15/64-28L=2.5
25	ZSB12002	1	Screw3/16-28L=12
26	ZSH16001	1	Screw 1/4-40 L=6
27	ZSB09061	1	Screw 9/64-40 L=13.5
28	ZSL09001	1	Nut9/64-40
29	ZSJ16002	1	Screw1/4-40L=4.5
30	ZSB11011	1	Screw11/64-40L=9
31	WA100009	1	Collar
32	YD030020	1	Spring Pin 3.0*20