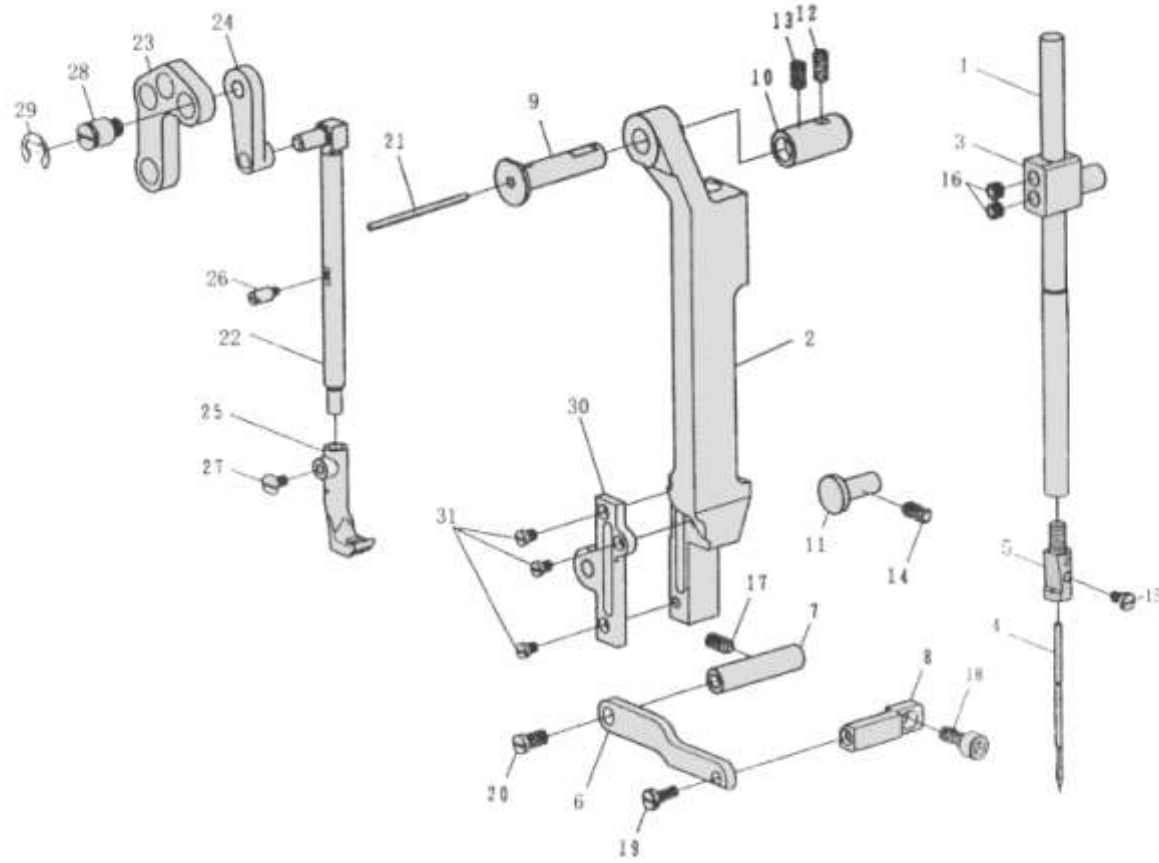


C. NEEDLE BAR • UPPER FEED MECHANISM COMPONENTS



C. NEEDLE BAR • UPPER FEED MECHANISM COMPONENTS

Code	Parts No.	QTY	Name of Part
1	4410140100	1	Needle Bar
2	4410270100	1	Frame Driving Base
3	4410140900	1	Needle Bar Connection
4	IN794#230	1	Needle (794 Nm=230)
5	4410140200	1	Needle Stopper
6	4410143700	1	Pressure Plate
7	4410272300	1	Setting Shaft
8	4410272200	1	Setting Plate
9	4410270200	1	Frame Driving Base Shaft
10	4410273000	1	Frame Driving Base Shaft Metal
11	4410270400	1	Frame Driving Base Guide
12	ZMH06005	1	Screw 15/64-28 L=12
13	ZMH06010	1	Screw 15/64-28 L=12
14	ZMH06005	1	Screw M6X1 L=12
15	ZSB11022	1	Screw 11/64-40 L=7
16	ZMH16005	2	Screw 1/4-40 L=4.5
17	ZMH06005	1	Screw 15/64X28 L=12
18	ZMJ06002	1	Screw M6X1 L=21
19	ZSB11076	1	Screw 11/64-40 L=12
20	ZSB15004	1	Screw 15/64-28 L=10.5
21	XA200100	1	Oil Wick
22	4410150100	1	Upper Feed Bar
23	4410143600	1	L Link
24	4410143300	1	Upper Feed Frame Drivig Link
25	4410151000	1	Pressure Foot
26	4410142900	1	Upper Feed Bar Pin
27	ZSB110417	1	Screw 11/64-40 L=7
28	ZSK18019	2	Hinge Screw 9/32-28
29	RE000080	2	E-Shaped Snap Ring (8mm0
30	4410151100	1	Giude Plate
31	ZSB11042	3	Screw 11/64X40 L=4.5