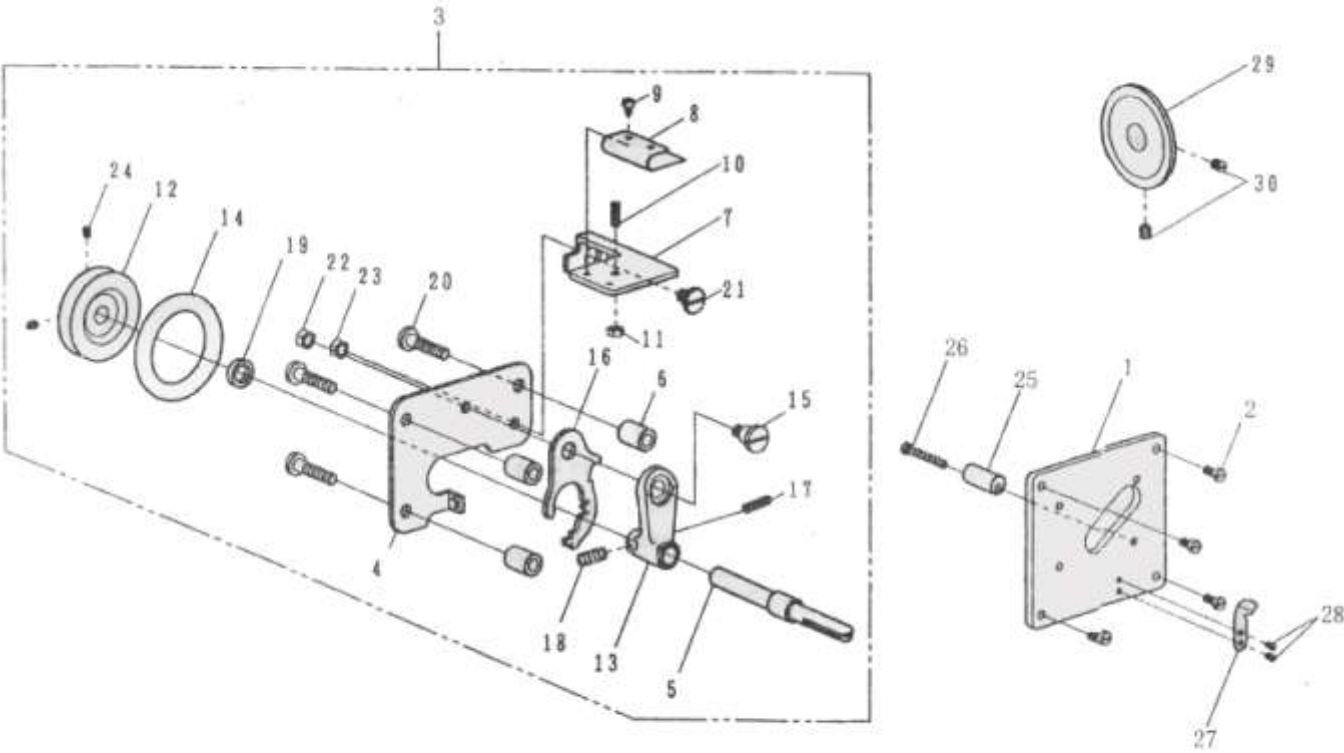


H. THREAD WINDER & THREAD GUIDE COMPONENTS(1/2)



H. THREAD WINDER & THREAD GUIDE COMPONENTS(1/2)

Code	Parts No.	QTY	Name of Part
1	4710320100	1	Thread Winder Plate
2	ZSB11011	4	Screw 11/64-40 L=9
3	4710320805	1	Thread Winder Asm.
4	4710320800	1	Thread Winder Base
5	4710320900	1	Thread Winder Shaft
6	4710321000	3	Spacer
7	4710321100	1	Bobbin Presser
8	4710321200	1	Bobbin Presser Spring
9	ZSB06008	2	Screw 3/32-56 L=3.3
10	ZSA08007	1	Adjusting Screw
11	ZSL08001	1	Nut 1/8-44
12	4710321300	1	Bobbin Winder Wheel
13	4710321400	1	Bobbin Winder Frame
14	4710322000	1	Wheel Ring
15	ZSG11059	1	Hinge Screw
16	4710321500	1	Bobbin Winder Tension Bracket
17	4710321600	1	Spring
18	4710321800	1	Bobbin Winder Spring
19	4710321900	1	Thread Winding Shaft Collar
20	ZSB11083	3	Screw 11/64-40 L=18
21	ZSG11057	1	Hinge Screw D=7.24 L=1.9
22	ZSL11007	1	Nut 11/64-40
23	ZSL11007	1	Nut 11/64-40
24	ZSA11003	2	Screw 11/64-40 L=5
25	4710320300	1	Stopper
26	ZSB11071	1	Screw 11/64-40 L=30
27	4710320400	1	Thread Cut&Clamp Plate
28	ZSB08008	2	Screw 1/8-44 L=4
29	4710320500	1	Friction Wheel
30	ZSA15028	2	Screw 15/64-28 L=7