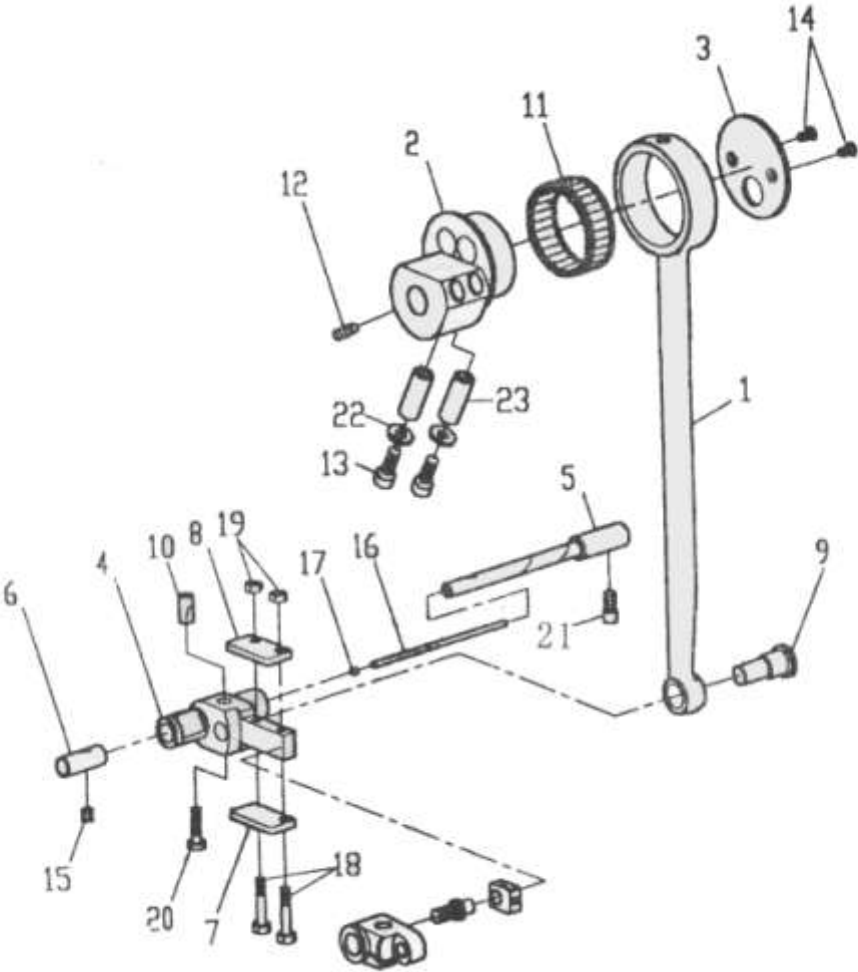


**E. HOOK DRIVING SHAFT COMPONENTS(2/2)**



## **F. HOOK DRIVING SHAFT COMPONENTS(2/2)**

Code	Parts No.	QTY	Name of Part
1	4710181800	1	Connecting Rod
2	4710181900	1	Con-Rod Eccentric Cam
3	4710182000	1	Cam Side Plate
4	4710182200	1	Oscilating Rock Shaft
5	4710182300	1	Hinge Pin
6	4710182400	1	Rock Shaft Bushing
7	4710182800	1	Slide Plate A
8	4710182900	1	Slide Plate B
9	4710183000	1	Con-Rod Pin
10	4710183100	1	Con-Rod Pin Wedge
11	4710182100	1	Cage & Roller
12	ZSH15006	1	Screw 15/64-28 L=15
13	ZMJ06006	2	Screw M8x1.25 L=22
14	ZSC11002	2	Screw 11/64-40 L=7
15	ZSA15028	1	Screw 15/64-28 L=7
16	XA300085	1	Oil Wick $\varnothing$ 2.5x80
17	LG1275-0A	1	Plug 2.9x3.2x3
18	ZSD11010	2	Screw 11/64-40 L=24
19	ZSL11002	2	Nut11/64-40
20	ZSB12036	1	Screw 3/16-32 L=18
21	ZSJ15001	1	Screw 15/64-28 L=10.7
22	WA06008	2	Washer
23	4710183400	2	Pin