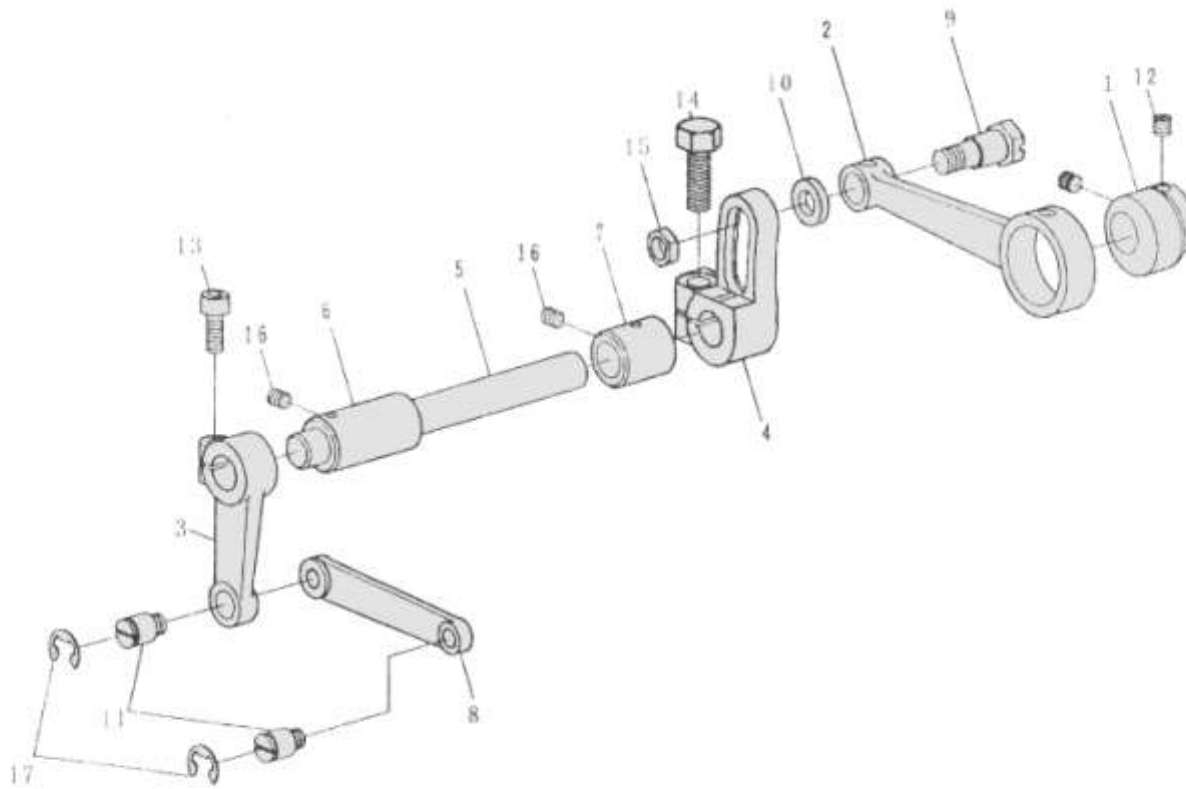


### C. NEEDLE BAR • UPPER FEED MECHANISM COMPONENTS



### C. NEEDLE BAR • UPPER FEED MECHANISM COMPONENTS

Code	Parts No.	QTY	Name of Part
1	4710144401	1	Driving Cam
2	4710144500	1	Connecting Rod
3	4710144800	1	Driving Shaft Arm, Front
4	4710144700	1	Driving Shaft Arm, Rear
5	4710144800	1	Feed Rocker Shaft
6	4710144900	1	Bushing, Front
7	4710145000	1	Bushing, Rear
8	4710145100	1	Rod
9	ZSG2202	1	Hinge Screw
10	WH208005	1	Washer
11	ZSK18019	2	Hinge Screw
12	ZSA16025	2	Screw 1/4-40 L=6
13	ZMJ06002	1	Screw M6 L=21
14	ZSD20010	1	Screw 5/16-18
15	ZSL22001	1	Nut 11/32-28
16	ZSA15028	2	Screw 15/64-28 L=7
17	RE000080	2	E-Shaped Snap Ring(8mm)