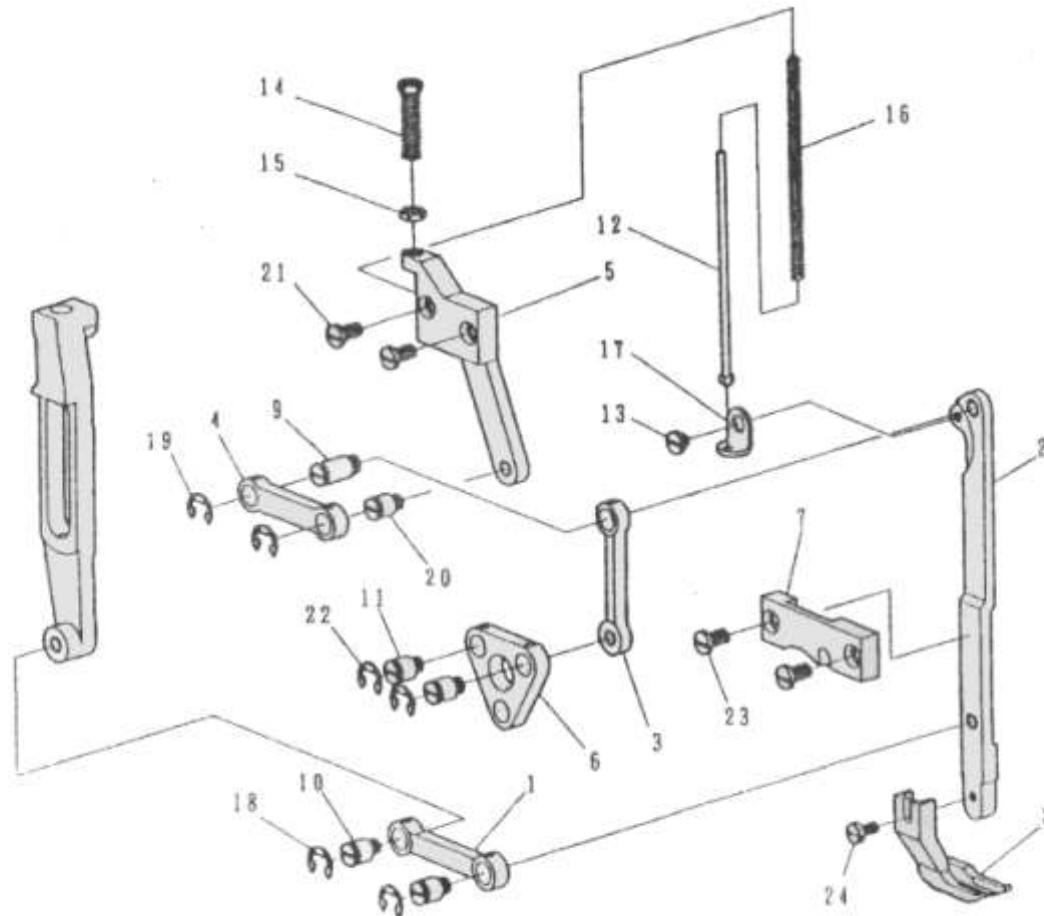


C. NEEDLE BAR • UPPER FEED MECHANISM COMPONENTS



C. NEEDLE BAR • UPPER FEED MECHANISM COMPONENTS

Code	Parts No.	QTY	Name of Part
1	4710143100	1	Rod
2	4710143200	1	Upper Feed Rod
3	4710143300	1	Upper Feed Link A
4	4710143400	1	Upper Feed Link B
5	4710143500	1	Upper Feed Link Bracket
6	4710143600	1	Bracket
7	4710143700	1	Supporting Plate
8	4710143800	1	Walking Foot (Standart)
9	ZSK20006	1	Hinge Screw
10	ZSK18019	1	Hinge Screw
11	ZSK18019	1	Hinge Screw
12	4710144100	1	Spring Guide Bar
13	ZSG11058	1	Hinge Screw
14	ZSF18001	1	Adjusting Thumb Screw
15	ZSL18003	1	Nut 9/32-28
16	4710144200	2	Spring
17	E1288-0A	1	Retaining Plate
18	RE000080	1	E-Shaped Snap Ring (8mm)
19	RE000080	1	E-Shaped Snap Ring (8mm)
20	ZSK18019	1	Hinge Screw
21	ASB15005	1	Screw 15/64-28 L=12
22	RE000080	1	E-Shaped Snap Ring (8mm)
23	ZSB15005	1	Screw 15/64-28 L=12
24	ZSB11026	1	Screw 11/64-40 L=9.5