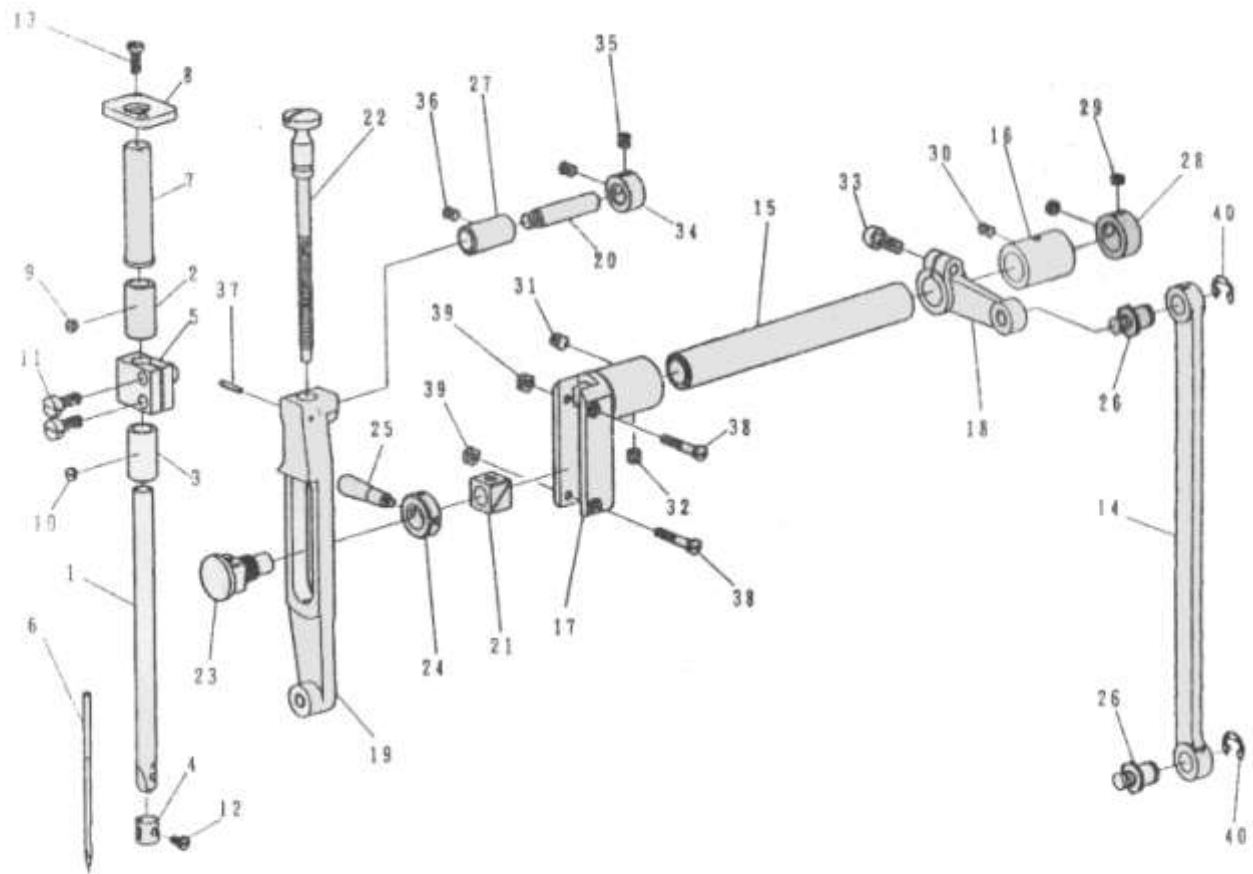


### C. NEEDLE BAR • UPPER FEED MECHANISM COMPONENTS



### C. UPPER FEED MECHANISM COMPONENTS

Code	Parts No.	QTY	Name of Part
1	4710140100	1	Needle Bar
2	4710140400	1	Needle Bar Bushing ,Upper
3	4710140500	1	Needle Bar Bushing ,Lower
4	4710140700	1	Needle Bar Thread Guide
5	4710140900	1	Needle (794 Nm=230
6	1N794#230	1	Needle Bar Cover
7	4710141200	1	Cover Plate
8	4710141300	1	Screw 15/64-28 L=3.4
9	ZSA15013	1	Screw 15/64-28 L=2.5
10	ZSA16039	2	Screw 15/64-40 L=14
11	ZSB15032	1	Screw 11/64-40 L=6.5
12	ZSB11030	2	Screw 11/64-40 L=12
13	ZSB11076	1	Lengthwise Feed Rod
14	4710142000	1	Driving Shaft
15	4710142101	1	Bushing ,Rear
16	4710142201	1	Driving , Shaft Rod ,Front
17	4710142301	1	Driving , Shaft Rod ,Rear
18	4710142401	1	Uper Feed Control Bracket
19	4710142500	1	Shaft
20	4710142600	1	Brock

21	471014270	1	Brock
22	471014280	1	Screw
23	471014290	1	Shaft
24	471014300	1	Nut
25	471014390	1	Control Lever
26	ZSK20009	2	Hinge Screw
27	471014050	1	Bushing
28	LG4043-0	1	Thrust Collar D=18 W=10
29	ZSA16010	2	Screw 1/4-40 L=4.5
30	ZSK15028	1	Screw 15/64-28 L=7
31	ZSH16002	1	Screw 1/4-40 L=8.5
32	ZSH16001	1	Screw 1/4-40 L=6
33	ZMJ06002	1	Screw M6 L=15
34	LG1274-0	1	Thrust Collar D=9.53 W=10
35	ZSA15028	2	Screw 15/64-28 L=7
36	ZSA15028	1	Screw 15/64-28 L=7
37	YD025014	1	Spring Pin 2.8x14
38	ZSB11507	2	Screw 11/64-40 L=24
39	ZSL11004	2	Nut 11/64-40
40	RE000080	2	E-Shaped Snap Ring (8mm)