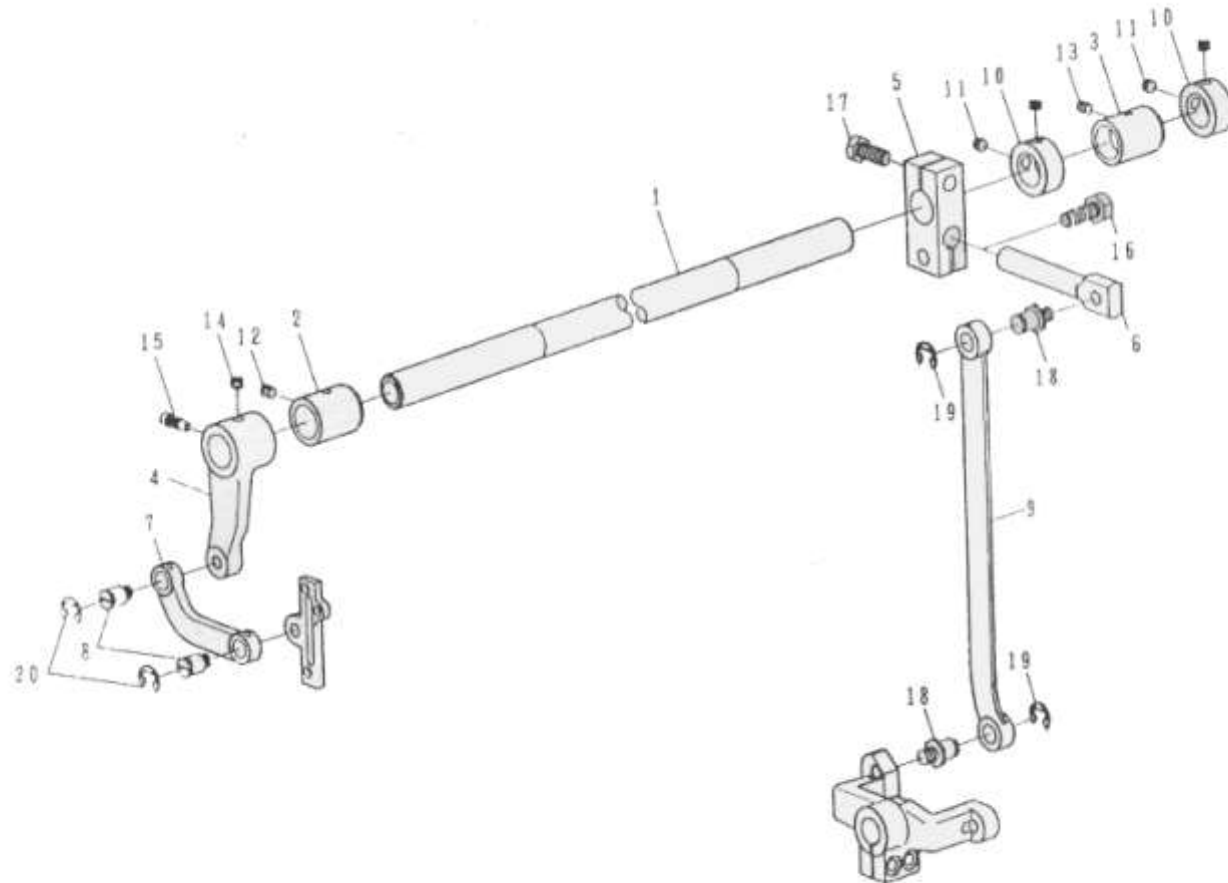


**C. NEEDLE BAR • UPPER FEED MECHANISM COMPONENTS**



### C. NEEDLE BAR • UPPER FEED MECHANISM COMPONENTS

Code	Parts No.	QTY	Name of Part
1	4410142100	1	Driving Shaft
2	4410145600	1	Driving Shaft Front Metal
3	4410142201	1	Driving Shaft Rear Metal
4	4410142300	1	Driving Shaft Rod, Front
5	4410142400	1	Driving Shaft Rod, Rear
6	4410141900	1	Driving Shaft Rear Arm Pin
7	4410143100	1	Frame Driving Link
8	ZSK18019	2	Hinge Screw
9	4410142000	1	Frame Driving Rod
10	LG4043-0A	2	Thrust Collar D=18W=12
11	ZSA16010	4	Screw 1/4-40 L=4.5
12	ZSA15028	1	Screw 15/64-28 L=7
13	ZSA15028	1	Screw 15/64-28 L=7
14	ZSH16005	1	Screw 1/4-40 L=4.5
15	ZSB15015	1	Screw 15/64-28 L=14.5
16	ZSD20011	1	Screw 5/16-18 L=18
17	ZSD20009	1	Screw 5/16-18 L=24
18	ZSK20009	2	Hinge Screw
19	RE000080	2	E-Shaped Snap Ring (8mm)
20	RE000080	2	E-Shaped Snap Ring (8mm)