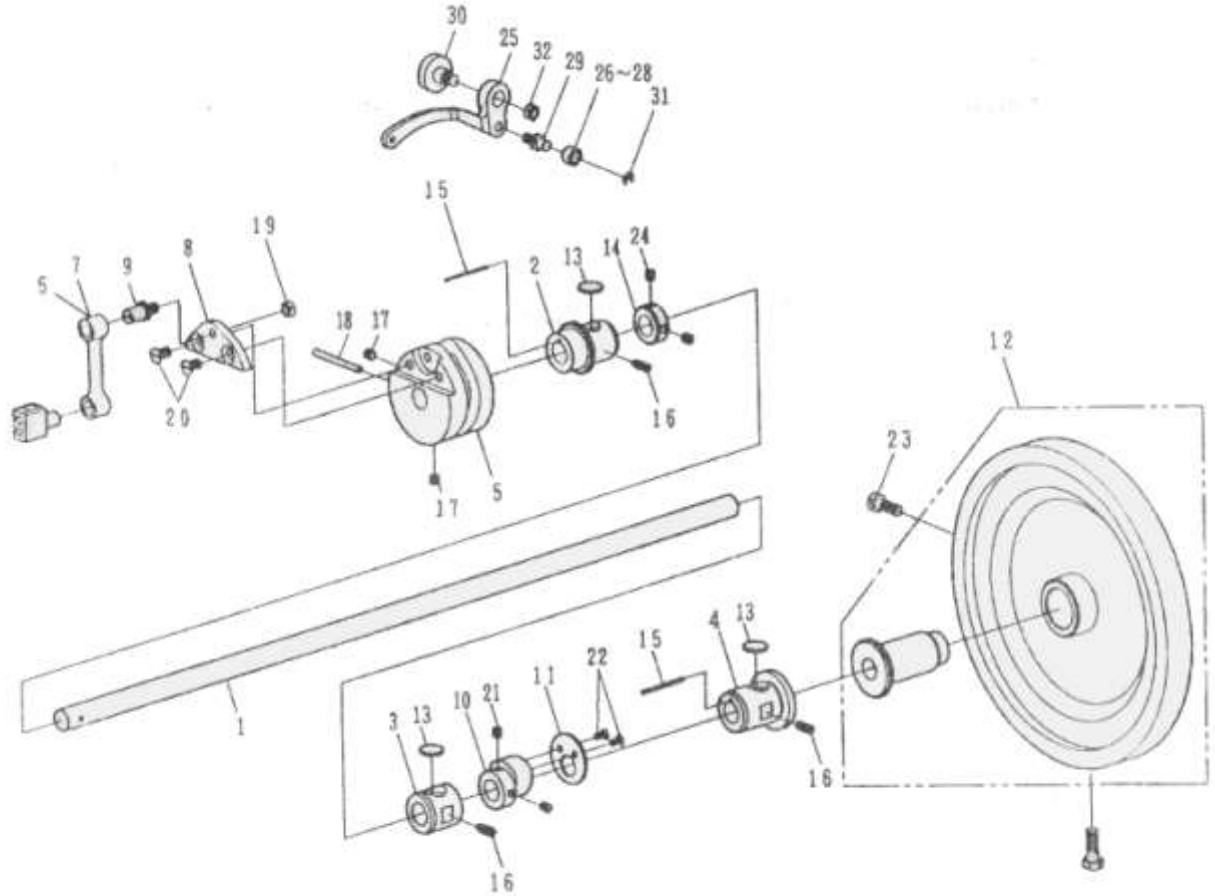


B. MAIN SHAFT COMPOENETS



B. MAIN SHAFT COMPOENETS

Code	Parts No.	QTY	Name of Part
1	4710120101	1	Main Shaft
2	4710120201	1	Main Shaft Bushing, Front
3	4710120300	1	Main Shaft Bushing, Center
4	4710120400	1	Main Shaft Bushing, Rear
5	4710191301	1	Thread Take Up Cam
6	4410121000	1	Needle Bar Crand Rod
7	4710121000	1	Needle Bar Crand Rod
8	4710121100	1	Crand Plate
9	4710121300	1	Needle Bar Crank Shaft
10	4710122000	1	Feed Cam
11	4710122100	1	Side Plate
12	4710122304	3	Hand Wheel Asm
13	4710122500	1	Felt
14	4710122601	2	Thrust Coller
15	XA200160	3	Oil Wick
16	ZSA15010	2	Screw 15/64-28 L=15
17	ZSH16001	1	Screw 1/4-40 L=6
18	YB010045	1	Tapered Pin 4.0*45
19	ZSL18001	2	Nut 9/32-28
20	ZSC18001	2	Screw 9/32-28 L=22
21	ZSH15001	2	Screw 15/64-28 L=7
22	ZSC11007	2	Screw 11/64-40
23	ZSD20003	2	Screw 5/16-24 L=21
24	ZSA16025	1	Screw 1/4-40 L=6
25	4710190100	1	Thread Take Up Lever
26	4710190100	1	Roller
27	4710190220	1	Roller
28	4710190230	1	Roller
29	4710190300	1	Roller Stud
30	ZSG20012	1	Hinge Screw
31	RE000040	1	E-Shaped Snap Ring(4mm)
32	ZSL 18001		Nut 9/32-28