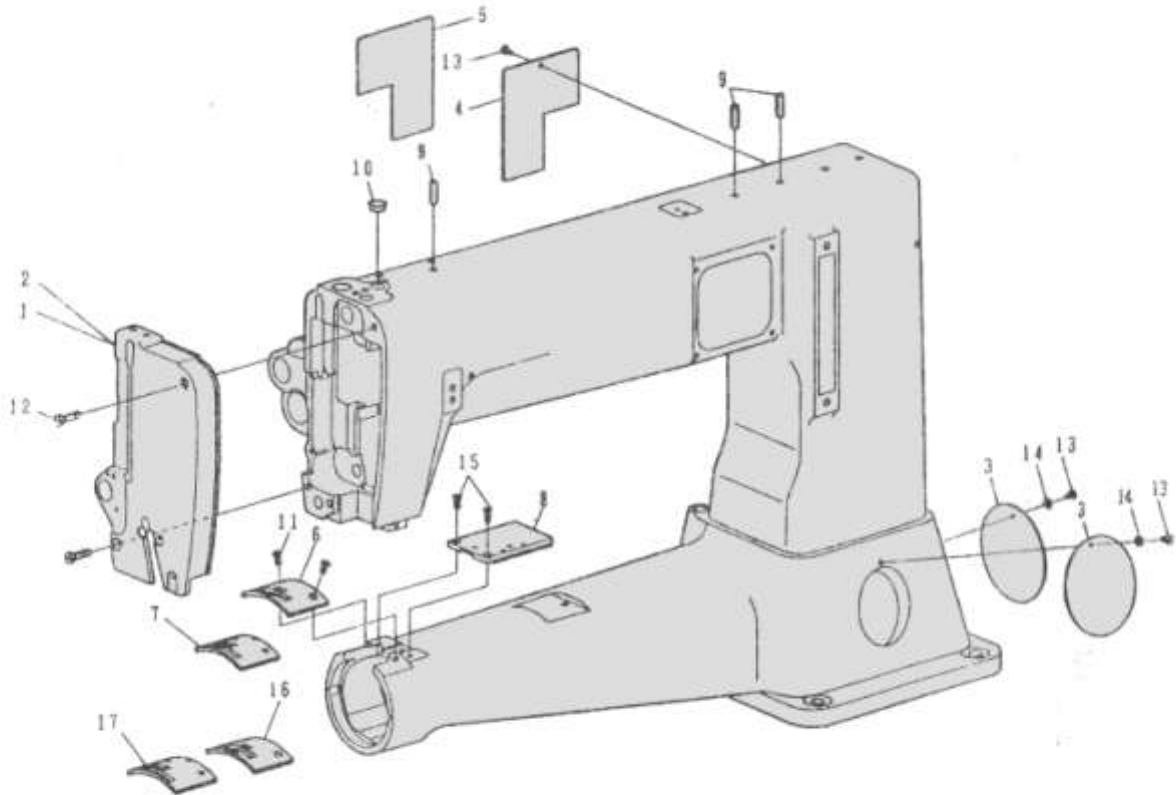


A. FRAME & MISCELLANEOUS COVER COMPONENTS



A. FRAME & MISCELLANEOUS COVER COMPONENTS

Code	Parts No.	QTY	Name of Part
1	4410111005	1	Face Plate Asm
2	4710111005	1	Face Plate Asm
3	4710111100	2	Slide Cover、 A
4	4410111200	1	Slide Cover、 B
5	4710111200	1	Slide Cover、 B
6	4410111300	1	Throat Plate
7	4710111300	1	Throat Plate
8	4710111600	1	Slide Plate
9	YD050018	3	Oil Pipe
10	S1013-0A	1	Rubber Plug
11	ZSB12045	2	Screw 3/16-28 L=8
12	ZSB15014	2	Screw 15/64-28 L=21
13	ZSB09047	3	Screw 9/64-40 L=7
14	WC049001	2	Washer
15	ZSB11018	2	Screw 11-64-40 L=9
16	4410111400	1	Throat Plate (Short)
17	4710111400	1	Throat Plate(Short)